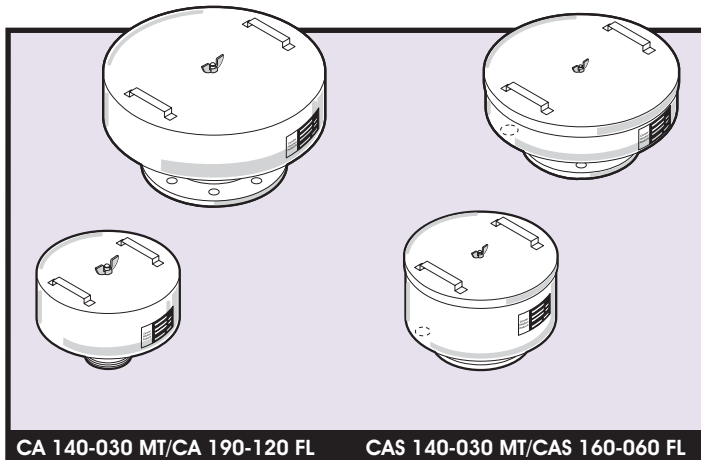




CONSLER® FILTRATION PRODUCTS

CONSLER CA AND CAS SERIES AIR INTAKE FILTERS



Features

- Noise reduction – to help meet plant requirements
- Low pressure drop – low energy loss
- Maximum filter area and dirt holding capacity
- Cleanable, replaceable 2-stage filter element
- Rugged all-weather housing
- Direct or remote mounting to machinery
- Two styles to suit any application

Applications

- Silencing of objectionable air intake noise on compressors, blowers, etc.
- Efficient removal of dust, dirt and other airborne contaminants from inlet air streams.
- Filtering of solid particles ranging from 0.3 to 750 microns.
- Positive protection of air compressors, blowers and engines in indoor or outdoor service.
- Protection and life extension of downstream pipeline equipment.
- Ideal for satisfying OEM specifications.

Element Design and Construction

The CA and CAS Series filters offer a replaceable, cleanable element that incorporates a pleated or "radial fin" cartridge design. The element offers maximum filter area in a compact filter assembly, and provides positive gasket sealing to prevent by-pass of unfiltered air. Long filter life, low pressure drop, large dirt holding capacity and efficient filtration are assured. The element is furnished complete with a 1st stage pre-filter blanket wrap to trap large particulate and extend the service life of the filter element.

Element Materials

Standard elements are furnished with a durable felted polyester filter medium offering 10 micron solids nominal retention at 98% efficiency and a 1st stage pre-filter wrap providing 75 micron, nominal solids retention. CA and CAS elements can also be supplied with many alternate materials providing a particle retention range from 0.3 to 750 microns.

Standard elements are furnished with a carbon steel center core and galvanized steel wire mesh support frame. Stainless steel materials are also available.

A cleanable plastisol molded-end element is provided as standard in models CA170-080 and CAS 170-080 and smaller. Larger models are furnished with a cleanable, sewn-end constructed element which can be reconditioned before replacement is necessary. Following several field cleanings this unique sewn constructed style element can be returned to the factory for recovery and reconditioning (see back page).

Housing Design and Construction

CAS models are furnished with a series of silencing tubes which guide air flow into the housing enclosure. The housing acts as an acoustical chamber providing effective reduction of undesirable noise emitted from the air inlet of compressors or blowers. The 2-stage felted fabric element further aids in noise attenuation.

The housing also provides built-in protection from rain or snow in outdoor service. All models may be mounted directly to the air intake connection on the machinery. A low profile filter design provides an attractive appearance and allows simple access to the element when service is required.

Standard filter housings may also be modified or customized to meet special application needs. Special accessories including differential pressure gauges and indicators are also available.

Housing Materials

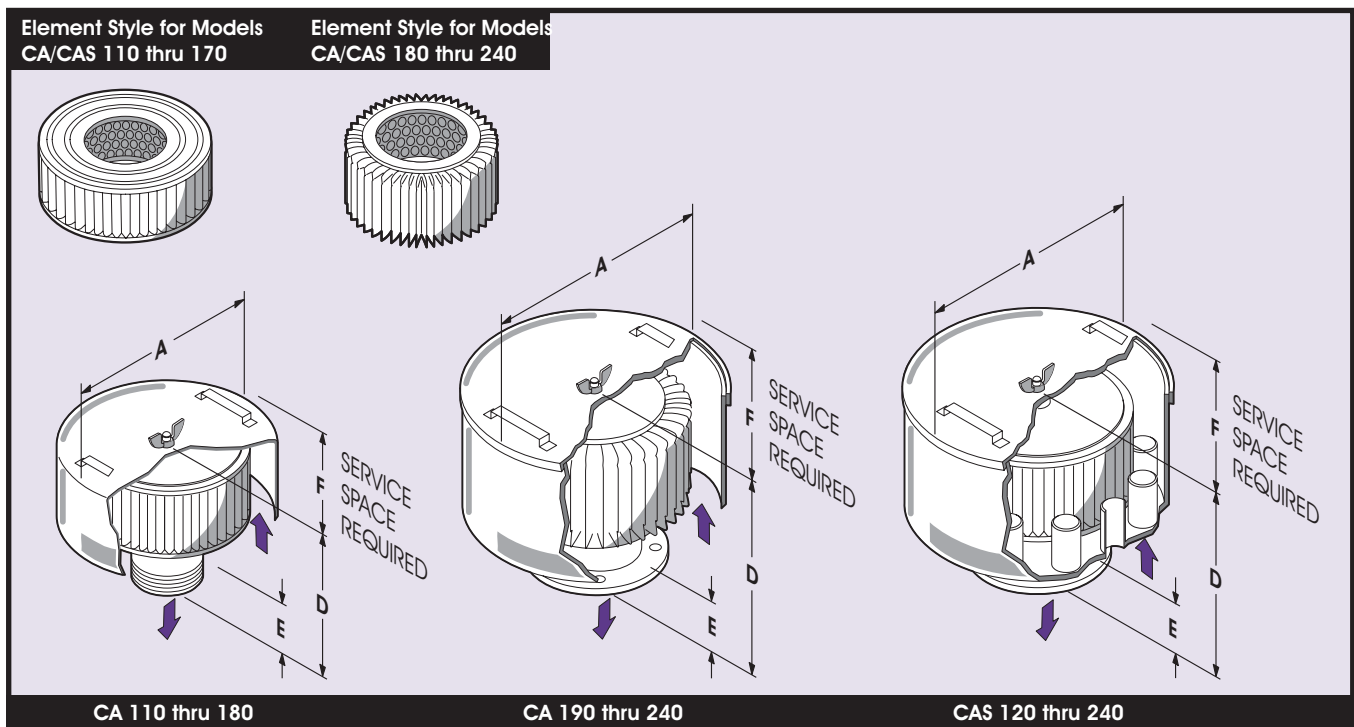
Standard materials are carbon steel and are furnished with a rust preventative primer coating beneath a durable all-weather paint. Alternate materials including stainless steel are available.

CA Series Specifications

Model No.	Connection		Dimensions - Inches*				Rated CFM @ $P \Delta$ 2.0" H ₂ O	Element			Approx. Weight Lbs.
	Size	Style	A	B	E	F		Part No.	No Req'd.	Total filter Area Sq. Ft.	
CA 110-010 MT	1	MPT	5	4	1 3/4	2 1/2	23	10186WK5	1	0.5	2
CA 120-015 MT	1 1/2	MPT	6 1/2	4 3/4	1 3/4	3 1/4	52	10186WK5	1	1.2	3
CA 130-020 MT	2	MPT	7 1/2	6 1/4	3 1/4	3 1/4	88	10187WK5	1	1.8	4
CA 140-030 MT	3	MPT	10	7 1/4	3 1/4	4 1/4	185	10188WK5	1	4.4	8
CA 140-030 FL	3	FLG	10	7 1/4	3 1/4	4 1/4	185	10188WK5	1	4.4	9
CA 150-040 MT	4	MPT	12	7 1/4	3 1/4	4 1/4	315	10189WK5	1	7.1	22
CA 150-040 FL	4	FLG	12	7 1/4	3 1/4	4 1/4	315	10189WK5	1	7.1	25
CA 160-060 MT	6	MPT	16	7 3/4	3 3/4	4 1/4	610	10190WK5	1	12.8	39
CA 160-060 FL	6	FLG	16	7 3/4	3 3/4	4 1/4	610	10190WK5	1	12.8	43
CA 170-080 FL	8	FLG	20	12	4	8 1/4	1300	10191WK5	1	39.0	55
CA 180-100 FL	10	FLG	21 1/2	16 3/4	5 1/4	11 3/4	2050	10325WK5	1	45.0	132
CA 190-120 FL	12	FLG	24	19 1/8	3 1/2	11 3/4	2550	10326WK5	1	54.0	198
CA 200-140 FL	14	FLG	25 1/2	24 1/8	3 3/4	16 1/2	3675	10327WK5	1	84.0	237
CA 210-160 FL	16	FLG	28	24 1/8	3 3/4	16 1/2	4700	10308WK5	1	107.0	277
CA 220-180 FL	18	FLG	33	30 1/8	3 3/4	24 1/2	6500	10328WK5	1	167.0	352
CA 230-200 FL	20	FLG	33	40 3/8	3 3/4	16 1/2	7700	10329WK5	2	191.6	748
CA 240-240 FL	24	FLG	38	56 3/8	3 3/4	24 1/2	11000	10330WK5	2	256.9	858

*All dimensions are approximate.

- All figd. conns. 4" and up have a plate fig. with 1/2 the no. of std. ANSI bolt holes. Holes drilled to match 125# std. fig.
- Models CA 170 and up have two cover handles.
- Models CA 180 and up have sewn-end style elements.
- Models CA 170 and below have molded-end style elements.

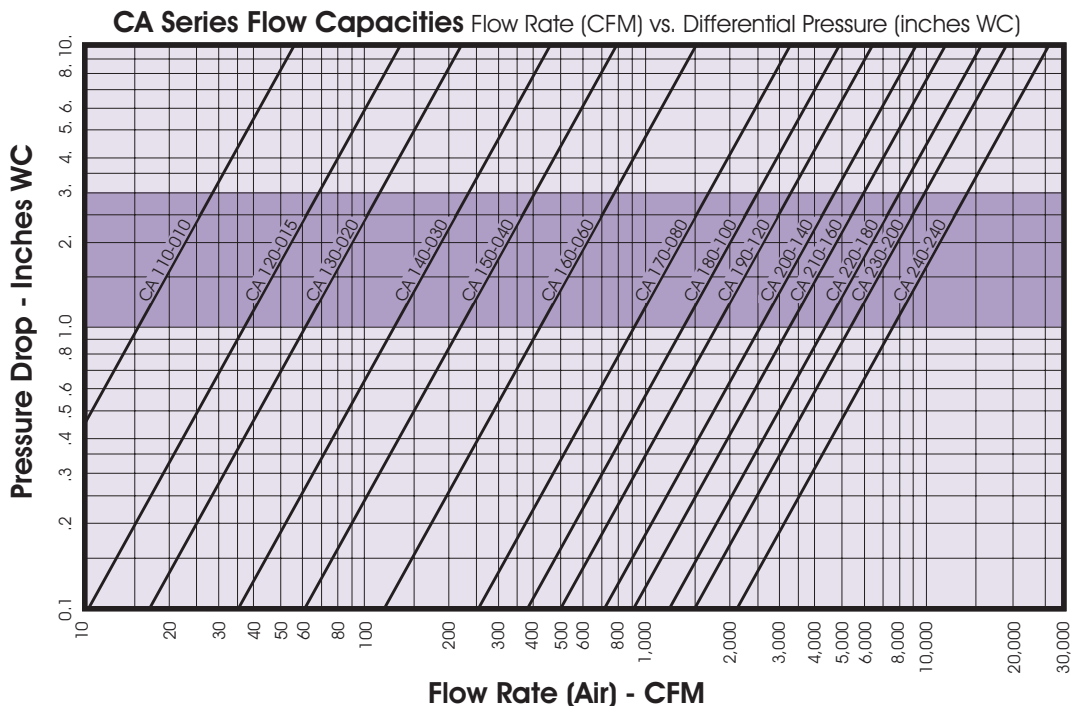


CAS Series Specifications

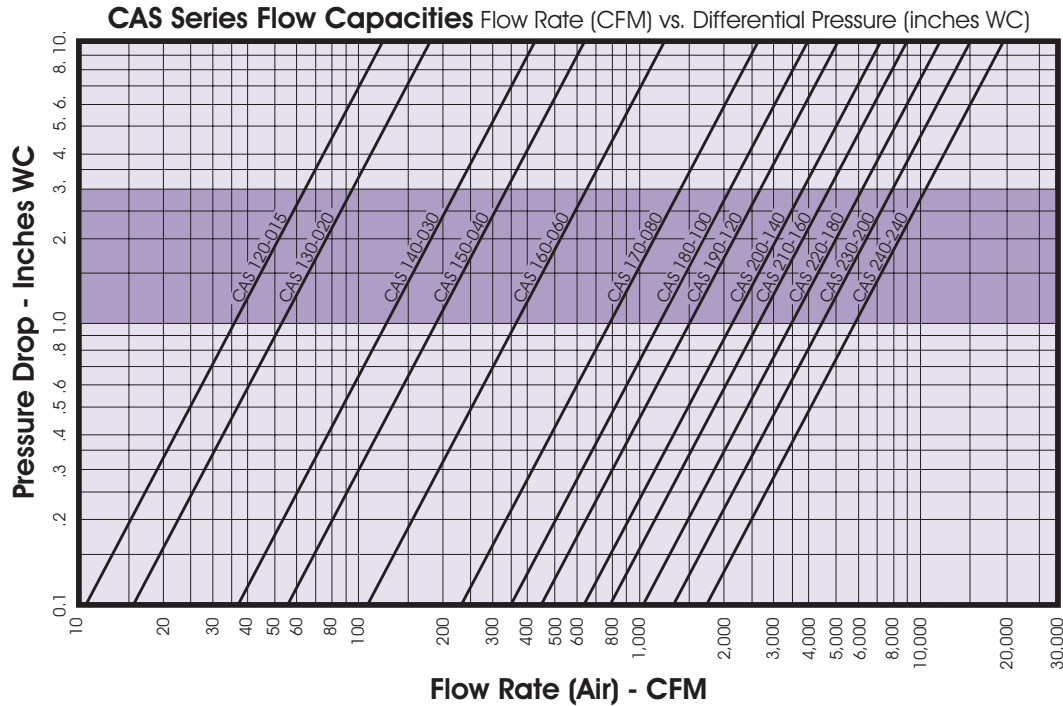
Model No.	Connection		Dimensions - Inches*				Rated CFM @ ΔP 2.0" H ₂ O	Element			Approx. Weight Lbs.
	Size	Style	A	B	E	F		Part No.	No Req'd.	Total filter Area Sq. Ft.	
CAS 120-015 MT	1 1/2	MPT	10 3/4	5 7/8	1 3/4	3 1/2	52	10186WK5	1	1.2	4
CAS 130-020 MT	2	MPT	10 3/4	7 3/8	3 1/4	3 1/2	77	10187WK5	1	1.8	5
CAS 140-030 MT	3	MPT	13 3/4	8 1/4	3 1/4	4 1/4	175	10188WK5	1	4.4	9
CAS 140-030 FL	3	FLG	13 3/4	8 1/4	3 1/4	4 1/4	175	10188WK5	1	4.4	11
CAS 150-040 MT	4	MPT	15 1/4	8 1/4	3 1/4	4 1/4	275	10189WK5	1	7.1	26
CAS 150-040 FL	4	FLG	15 1/4	8 1/4	3 1/4	4 1/4	275	10189WK5	1	7.1	29
CAS 160-060 MT	6	MPT	19 1/4	8 1/4	3 3/4	4 1/4	525	10190WK5	1	12.8	46
CAS 160-060 FL	6	FLG	19 1/4	8 1/4	3 3/4	4 1/4	525	10190WK5	1	12.8	51
CAS 170-080 FL	8	FLG	22 5/8	8 3/4	4	8 1/4	1150	10191WK5	1	39.0	64
CAS 180-100 FL	10	FLG	27 1/2	18 1/2	5 1/4	11 1/4	1700	10325WK5	1	45.0	155
CAS 190-120 FL	12	FLG	29 3/4	18 1/2	5 1/4	11 1/4	2200	10326WK5	1	54.0	233
CAS 200-140 FL	14	FLG	35 3/4	22 3/4	5 1/4	17 1/4	3200	10327WK5	1	84.0	280
CAS 210-160 FL	16	FLG	35 3/4	24 3	5 3/4	16 1/4	3900	10308WK5	1	107.0	327
CAS 220-180 FL	18	FLG	40	31 1/2	5 3/4	24 1/4	5050	10328WK5	1	167.0	415
CAS 230-200 FL	20	FLG	41 5/8	40 1/4	5 3/4	17	6150	10329WK5	2	191.6	883
CAS 240-240 FL	24	FLG	47	56 3/4	5 3/4	25	8400	10330WK5	2	256.9	1012

*All dimensions are approximate.

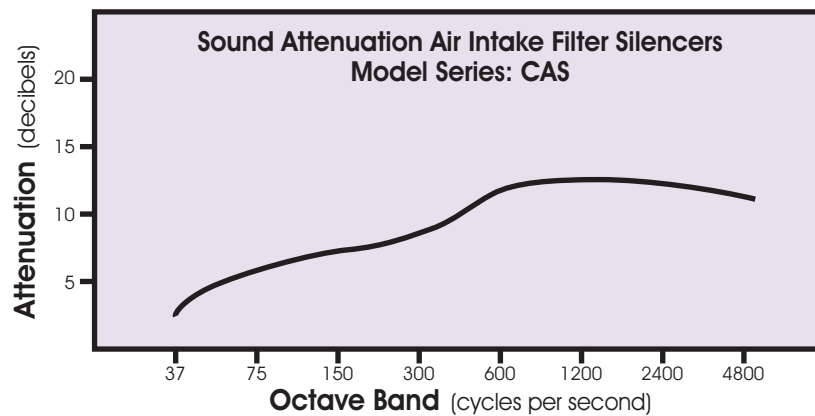
- All standard elements have a 1st stage pre-filter wrap.
- All figd. conns. 4" and up have a plate flg. with 1/2 the no. of std. ANSI bolt holes. Holes drilled to match 125# std. flg.
- Models CAS 180 and up have sewn-end style elements.
- Models CAS 170 and below have molded end style elements.
- Models CAS 160 and up have two cover handles.



- Shaded area represents normal recommended sizing range.
- Values are based on actual test results or empirical calculations.
- Contact your local representative or our sales engineering staff for sizing assistance.



- Shaded area represents normal recommended sizing range.
- Values are based on actual test results or empirical calculations.
- Contact your local representative or our sales engineering staff for sizing assistance.



Graver Technologies also makes:

- Air Intake Filters
- Air Intake Filter/Silencers
- Air/Gas Pressure Filters
- Vacuum Filters
- Liquid Filters/Strainers
- Smoke/Oil Mist Eliminators
- Filter Separators
- Special and Custom-Designed Filters and Filter Elements
- Lube Oil Filters and Filter Elements

Graver Technologies has representatives in major cities of the United States, Mexico and Canada. Representatives are also located in many other countries around the world.

Consler brand filters are manufactured in Honeoye Falls, NY. For more detailed information about Consler filters, contact your representative or Graver Technologies. Graver has a policy of continued product improvement and reserves the right to change specifications without notice.

Visit our web site at www.gravertech.com.

