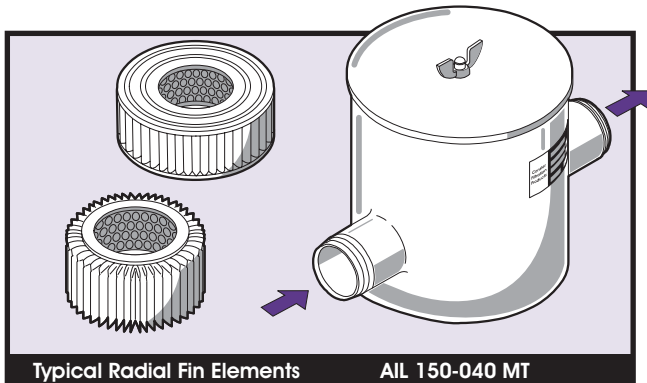


CONSLER® FILTRATION PRODUCTS

CONSLER AIL SERIES AIR INTAKE FILTERS



Typical Radial Fin Elements

AIL 150-040 MT

Features

- Low pressure drop – low energy loss
- Maximum filter area and dirt holding capacity
- Minimum "Down Time", long life
- Cleanable, replaceable filter element
- Direct mounting in-line to machinery
- Modified and custom designs available
- Optional non-ASME designs to 15 psig

Applications

- Remote or roof mounted air intake installations where easy access and convenient ground level filtration is desirable.
- Efficient removal of dust, dirt, and other airborne contaminants from inlet air streams. Filtering of solid particles ranging from 0.3 to 750 microns.
- Positive protection of air compressors, blowers and engines in indoor or outdoor service. Applications where long service life is essential.
- Ideal for satisfying original equip. mfr. specs.

Element Design and Construction

The AIL Series filters offer a replaceable, cleanable element that incorporates a pleated or "radial fin" cartridge design. The element offers maximum filter area in a compact filter assembly, and provides positive gasket sealing to prevent by-pass of unfiltered air. Long filter life, low pressure drop, large dirt holding capacity and efficient filtration are assured.

Element Materials

Standard elements are furnished with a polyester filter medium providing nominal retention on 10 micron solid particles. AIL Series elements are also supplied in many alternate materials offering a particle retention range from 0.3 to 750 microns. Optional filter materials available include nylon, fiberglass, cotton, polypropylene, rayon, TEFLON*, and wirecloth. Standard elements are furnished with a carbon steel center core and epoxy coated steel support frame. Stainless steel and other materials are available.

A cleanable plastisol molded-end element is provided as standard in models AIL 150-040 FL and smaller. Larger models are furnished with a cleanable, sewn-end constructed element, which can be reconditioned before replacement is necessary. Following several field cleanings this unique sewn constructed style element can be returned to the factory for recovery and reconditioning (see back page).

Housing Design and Construction

The totally enclosed AIL Series housings are designed for convenient, easy-access ground level use where a remotely piped, roof mounted, or other high level air intake is required. The AIL housings may be installed alongside/directly mounted to the air compression equipment and are well suited for both indoor or outdoor service.

All models are fabricated from heavy gauge sheet metal. Horizontal inlet/outlet connections are offered to provide for simple installation, and all models may be serviced without disturbing piping connections.

Standard filter housings may also be modified or customized to meet special application needs. Typical design modifications include: Special leg lengths, 304SS construction, end connection types, inlet/outlet orientations, cover lifting devices, and special controls and accessories.

Housing Materials

Standard materials are carbon steel and are furnished with a rust preventative primer coating beneath a durable all-weather paint. Alternate materials including stainless steel are available.

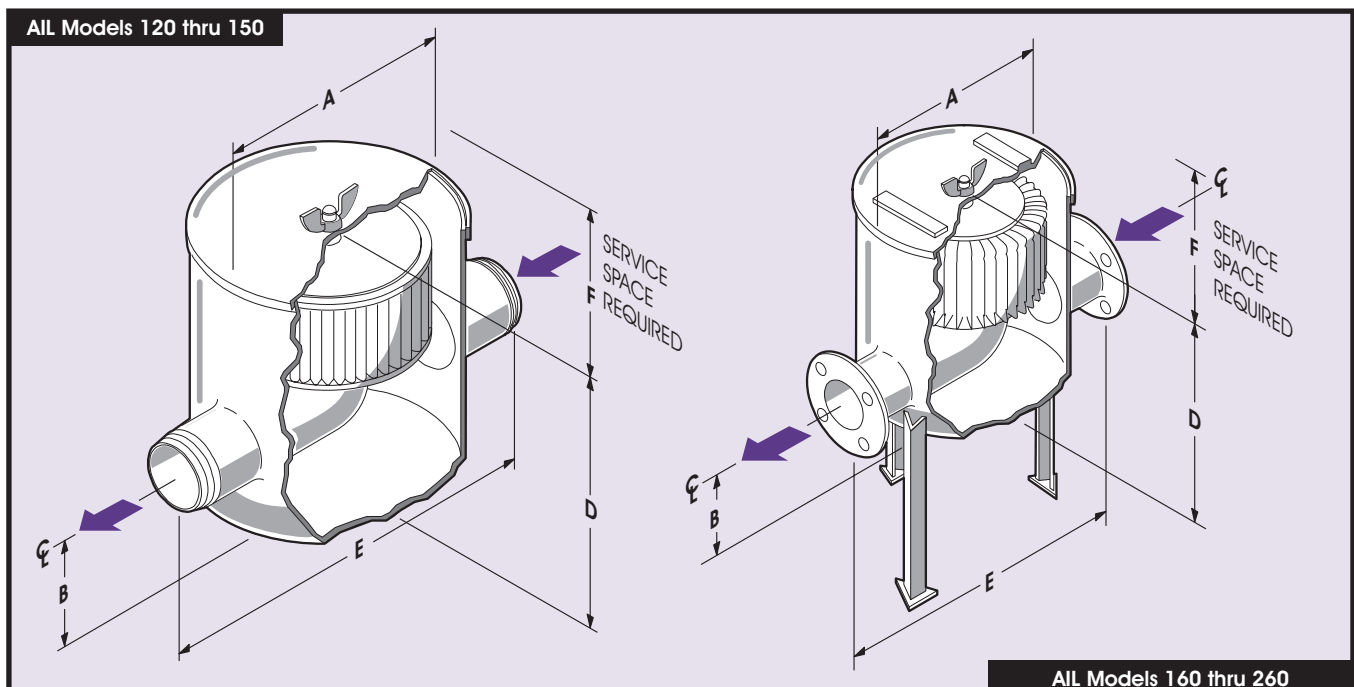
*DuPont registered trademark.

AIL Series Specifications

Model No.	Connection		Dimensions - Inches*					Flow Rating (ACFM)	Element			Approx. Weight Lbs.
	Size	Style	A	B	D	E	F		Part No.	No Req'd.	Total filter Area Sq. Ft.	
AIL 120-015 MT	1 1/2	MPT	8 1/2	3	9 1/2	12	3	50	10186K5	1	1.2	4
AIL 130-020 MT	2	MPT	8 1/2	3	9 1/2	14 3/4	3	90	10187K5	1	1.8	6
AIL 140-030 MT	3	MPT	10 3/4	3 3/4	12 1/4	20	4	200	10188K5	1	4.4	10
AIL 140-030 FL	3	FLG	10 3/4	3 3/4	12 1/4	20	4	200	10188K5	1	4.4	12
AIL 150-040 MT	4	MPT	13 3/4	4 1/4	14	21	4	300	10189K5	1	7.1	15
AIL 150-040 FL	4	FLG	13 3/4	4 1/4	14	21	4	300	10189K5	1	7.1	18
AIL 160-060 MT	6	MPT	19 1/4	6	27	26	14	700	10408K5	1	27.0	150
AIL 160-060 FL	6	FLG	19 1/4	6	27	26	14	700	10408K5	1	27.0	158
AIL 170-080 FL	8	FLG	22 3/4	8.5	35	28 1/2	18	1300	10264K5	1	53.0	200
AIL 180-100 FL	10	FLG	27 1/2	10	35	35	14	1600	10410K5	1	45.0	240
AIL 190-100 FL	10	FLG	27 1/2	10	42	35	21	2000	10411K5	1	85.0	310
AIL 200-160 FL	16	FLG	35 3/4	12	42	48	14	2100	10412K5	1	60.0	750
AIL 210-160 FL	16	FLG	35 3/4	12	46	48	18	3000	10413K5	1	90.0	800
AIL 220-160 FL	16	FLG	35 3/4	12	55	48	26	3500	10415K5	1	136.0	850
AIL 230-200 FL	20	FLG	35 3/4	15	86	52	18	7000	10416K5	3	270.0	1350
AIL 240-240 FL	24	FLG	41 5/8	18	93	58	18	8000	10418K5	3	270.0	1370
AIL 245-240 FL	24	FLG	41 5/8	18	93	58	26	10000	10420K5	2	330.0	1500
AIL 250-240 FL	24	FLG	41 5/8	18	106	58	21	12000	10421K5	3	405.0	1550
AIL 260-240 FL	24	FLG	41 5/8	18	118	58	26	15000	10420K5	3	495.0	1700

*All dimensions are approximate.

- Standard product is rated for 14.7 PSIA.
- Standard filters are supplied with a 10 micron polyester filter medium. See page 4 for options.
- All flange connections have a plate flange with bolt holes drilled to match std. 1.25# ANSI flange.
- Models AIL 150 and up have two (2) cover handles.
- Models AIL 150 and below have molded-end elements.
- Models AIL 160 and up have sewn-end elements.
- Models AIL 160 and up have three (3) leg supports, with length of 18" from bottom of vessel to grade.

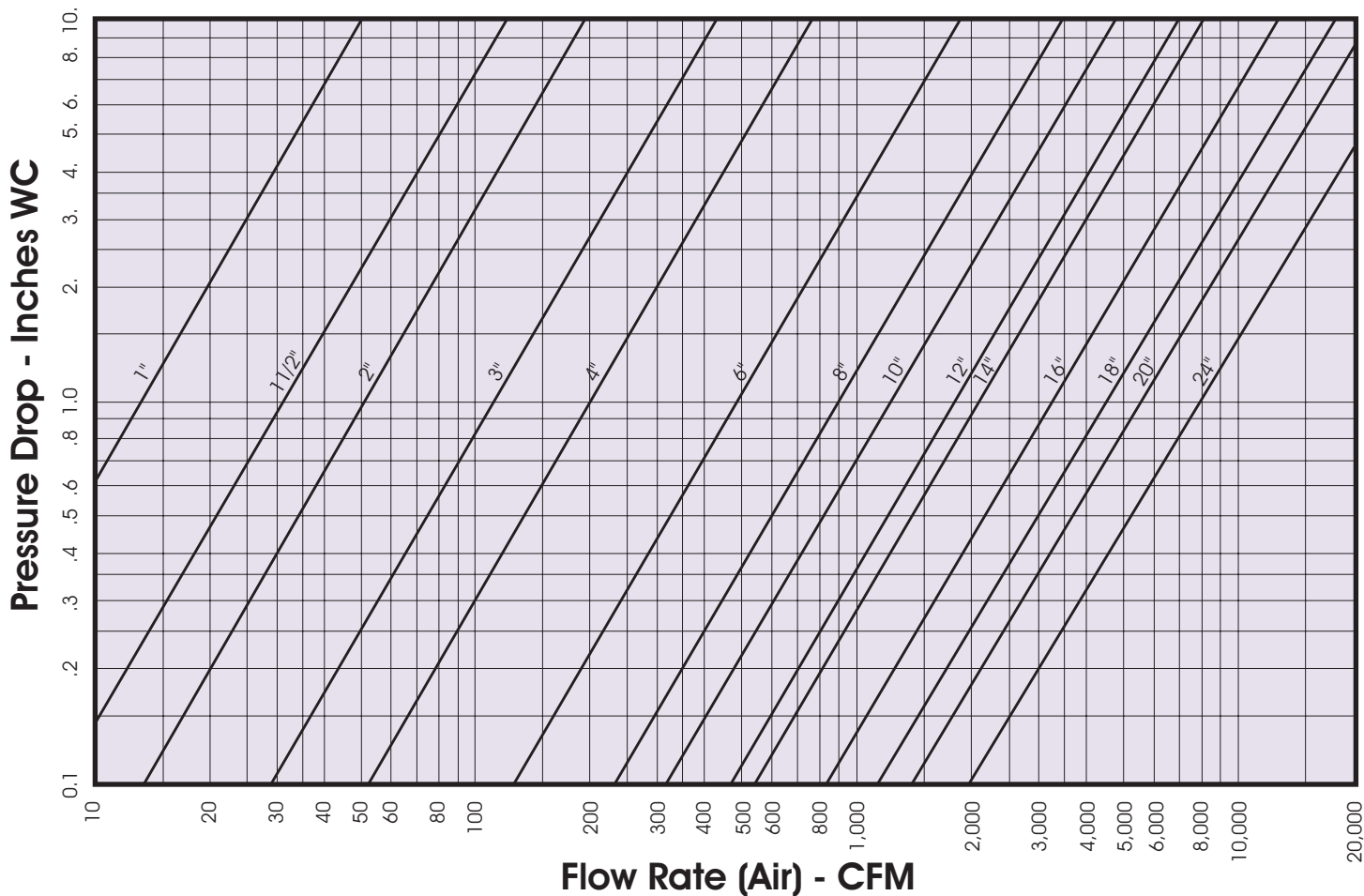


AIL Series Flow Capacities

Air 14.7 PSIA @ 60° F

Flow Rate (CFM) vs. Differential Pressure (inches WC)

(filter models are represented by their standard connection sizes)



- Values are based on actual test results or empirical calculations using standard 10 micron element. Contact your local representative or our sales engineering staff for sizing assistance.

- Pressure drop for 24" connection size is for AIL 240-240 FL.

Standard Molded End Style Elements

STANDARD FEATURES AND BENEFITS (AIL 150 & SMALLER)

- High-quality resilient blue plastisol end seals
- Positive seal prevents bypass
- Pleated polyester felt media provides maximum dirt-holding capacity
- Lifting lugs on large elements ease removal and installation
- Other available media options offer 0.3 to 750 micron filtration
- Stainless steel and other metal cores available

Standard Sewn End Elements

STANDARD FEATURES AND BENEFITS (AIL 160 & LARGER)

- Polyester felt media for maximum dirt-holding capacity and excellent moisture resistance
- Large elements are supplied with lifting lugs for easier removal and installation
- Retention ratings from 1 to 750 micron
- Cleanable and recoverable
- Stainless steel and other metal cores available
- Alternative media, backwash and fin spacers also available

Recovery of Sewn End Elements

FAST TURNAROUND

Graver Technologies can recover and return your filter elements within 10 working days and we'll pay return freight.

Your recovered element will look and perform like new. Depending on what you're filtering and how often you recover your element, you could use the same element over and over again for years.

Graver Technologies also makes:

- Air Intake Filters
- Air Intake Filter/Silencers
- Air/Gas Pressure Filters
- Vacuum Filters
- Liquid Filters/Strainers
- Smoke/Oil Mist Eliminators
- Filter Separators
- Special and Custom-Designed Filters and Filter Elements
- Lube Oil Filters and Filter Elements

Other Media Options with Micron and Temperature Ratings

Suffix Number	Description	Nominal Micron Rating	Temp Rating
1	Woven Cotton	20	200° F
3	Woven Cotton	5	200° F
7	Polyester Felt	4	200° F
8	Woven Fiberglass	10	700° F
42	Woven Cotton	1	200° F
66	Woven Polyester	2	300° F
100	Woven Polypropylene	15	175° F
101	Woven Polypropylene	10	175° F
105	Fiberglass Felt	3	450° F
142	Polypropylene Felt	5	175° F
169	Polyester Felt	10	300° F
180	Nomex Felt	10	425° F
212	Polyester Felt	50	300° F
287	Absolute Microglass*	0.3	450° F
707	Woven Polyester	1	300° F

*Can only be used with a molded end element.

NEW YORK RECOVERY CENTER

Consler Filtration Products Recovery Department
 300 West Main Street
 Honeoye Falls, NY 14472
 800-321-4789 or FAX 585-624-1205

Contact the factory for a Recovery Operation Number

Graver Technologies has representatives in major cities of the United States, Mexico and Canada. Representatives are also located in many other countries around the world.

Consler brand filters are manufactured in Honeoye Falls, NY. For more detailed information about Consler filters, contact your representative or Graver Technologies. Graver has a policy of continued product improvement and reserves the right to change specifications without notice.

Visit our web site at www.gravertech.com.

