

## INDUSTRIAL FILTRATION PRODUCTS

### CONSLER REPLACEMENT ELEMENTS AND ELEMENT PANELS

The element is the most important part of your filter. Consler has been manufacturing elements for over 30 years. This experience coupled with our SPC and Quality Control processes ensure that you, the customer, receive the best possible product on the market today. Not only are you assured of a top quality product but also an affordable one.

Consler promises that we will always provide you with a competitive price. We also guarantee that you will receive unmatched quality, superior service and on time delivery. Your satisfaction is our primary concern. If you are not completely satisfied with our element, we'll modify or replace it to your satisfaction without question or argument.

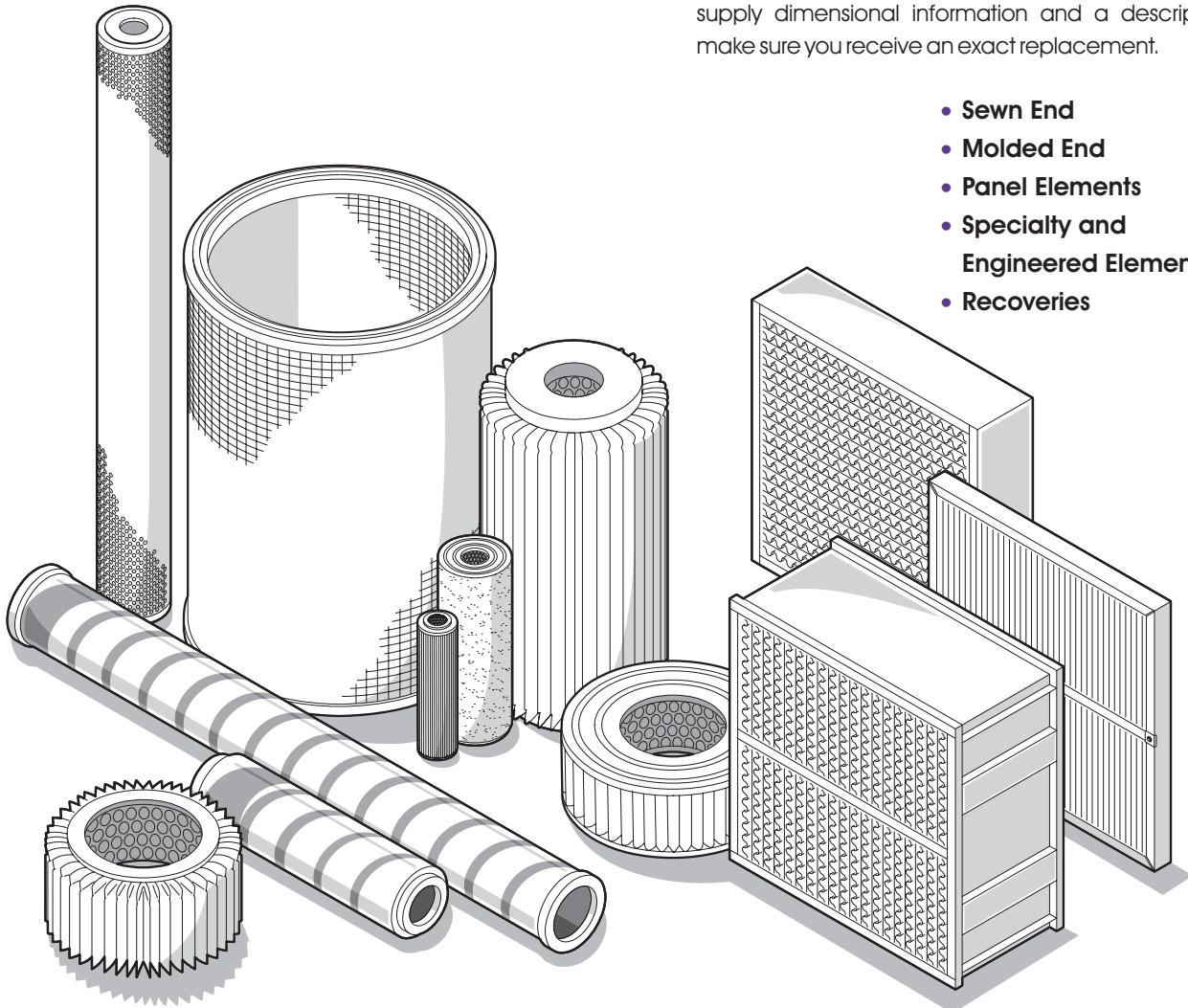
So the next time you change out that element, go with someone you can trust. Choose Consler, where your **satisfaction is guaranteed.**

Consler offers superior replacements for these manufactures:

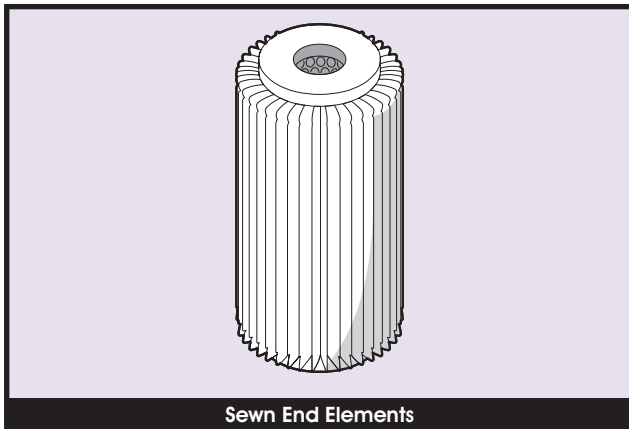
DOLLINGER	NAFCO
IFM	AIR MAZE
ENDUSTRA	SOLBERG
SUNSHINE	FILTRATION ENGINEERING
SHAWNDRRA	and others...

\*\* If you do not know the manufacturer or part number, just supply dimensional information and a description, we'll make sure you receive an exact replacement.

- Sewn End
- Molded End
- Panel Elements
- Specialty and Engineered Elements
- Recoveries



## Sewn and Molded End Replacement Elements



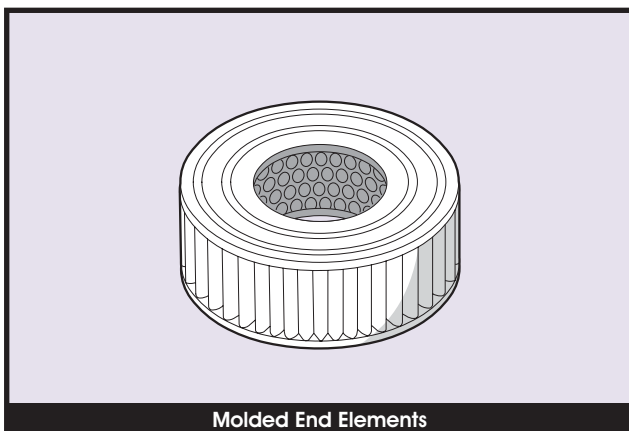
Sewn End Elements

### Typical Uses

- Air intakes for blowers and compressors
- Compressed air and gas filters
- Inlet vacuum filters
- Plant water and cooling system water
- High temperature (750° F)
- After filters for desiccant dryers
- Filtration of recirculated liquids including oils and coolants

### Standard Features and Benefits

- Single high density felt gaskets for positive seal.
- Standard polyester felt media for maximum dirt loading capacity and excellent resistance to moisture.
- Seams are triple stitched by hand for positive seal and durability.
- Perforated carbon steel core. Coated for rust resistance. 58% open area for minimum pressure drop. 16 GA perf for superior strength.
- Large elements supplied with lifting lugs to aid in removal and installation.
- Wire mesh provides maximum fin support.
- 1 to 200 micron retention.
- Cleanable and recoverable.
- Stainless steel and other metal cores available.
- Optional media include (but not limited to):  
Fiberglass, Nylon, Cotton, NOMEX\*, TEFLON\*, Polyester and Polypropylene.
- Backwash and fin spacers available upon request.



Molded End Elements

### Typical Uses

- Air intakes for compressors and blowers
- Compressed air and gas filters
- Filtration of water and process liquids
- Filtration of recirculating liquids including oils and coolants
- Exhaust filters for oil mist elimination

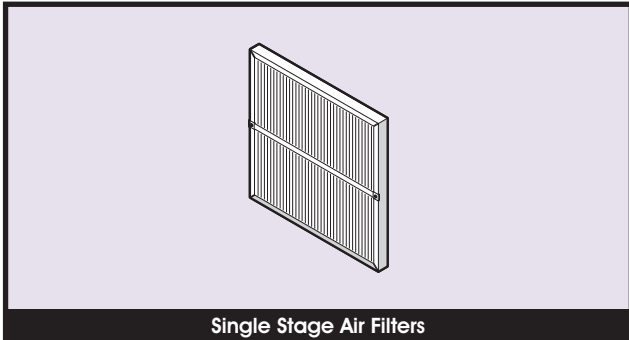
### Standard Features and Benefits

- Highest quality blue PVC. Highly resilient and will not crack due to vibration and age.
- PVC offers a positive seal to prevent bypass.
- Pleated polyester felt media for maximum dirt holding capacity.
- Perforated carbon steel core. Coated for rust resistance.
- Epoxy coated support wire for maximum fin support and pleat rigidity.
- Lifting lugs on large elements for ease of removal and installation.
- 0.3 to 750 micron filtration offered through other media selections.
- Stainless steel and other metal cores available.
- Optional media include (but not limited to):

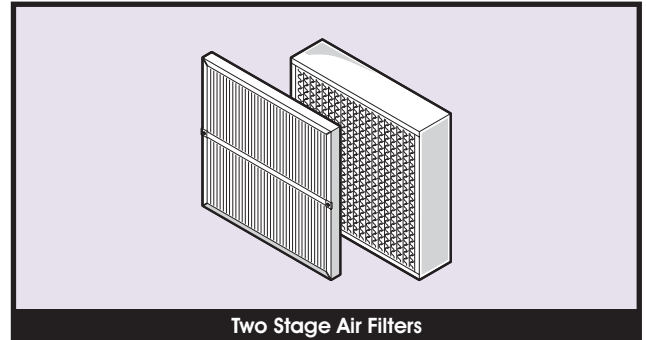
Fiberglass	Nylon	Stainless Steel
Cotton	Polypro	Paper
NOMEX*	TEFLON*	GORTEX*

\*NOMEX, TEFLON, AND GORTEX are registered trademarks.

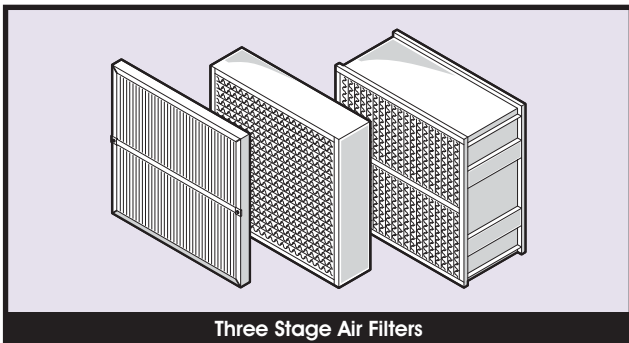
## Replacement Element Panels



Single Stage Air Filters

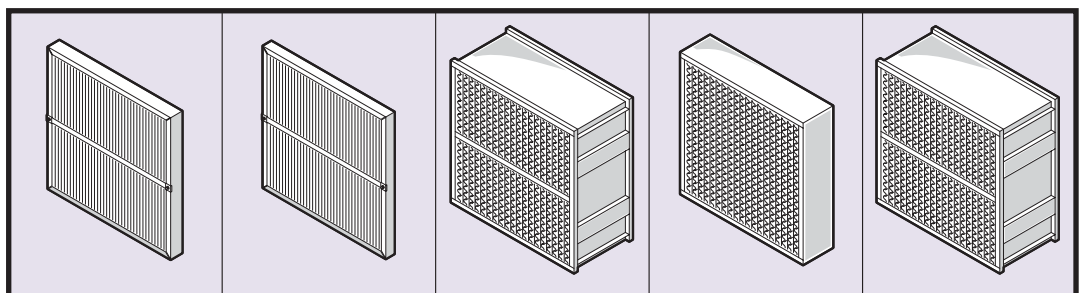


Two Stage Air Filters



Three Stage Air Filters

- Totally interchangeable with original equipment
- Offers significant cost savings
- Rapid delivery from local stock
- Rugged construction
- Superior quality
- Wire mesh face guards
- Positive leak proof gasketing
- 24" x 24 " face dimensions
- Handling straps for ease of installation
- Pleated media extends filter area



Features	Model 23106	Model 23104	Model 23147	Model 15753	Model 20624
Filter Stage	Single	First	Second	Second	Third
Dimensions, in.	24 x 24 x 242	24 x 24 x 1 1/2	24 x 24 x 11 1/2	24 x 24 x 5 7/8	24 x 24 x 11 1/2
Filtering Area, Sq. Ft.	10	36	144	56	230
Retention, Micron	98%	15	2	5	0.3
Efficiency	2500 CFM	98%	99.97%	98%	99.97%
Air Flow	1.1	2500 CFM	2500 CFM	1250 CFM	1250 CFM
W.C. $\Delta$ P, in.		0.3	0.9	0.5	1.0

## Panel Elements

Our panel elements are typically used for air intakes on turbines, compressors, fans or HVAC. They offer a compact pleat design for maximum area, low pressure drop and large dirt holding capacity. Frames are electro galvanized for strength and corrosion resistance.

Capacities range from 1250 CMF to 2500 CMF with retention levels to 0.3 micron at 99.97% efficiency. Standard sizes include but are not limited to: 24 x 24 x 1.5, 24 x 24 x 2, 24 x 24 x 6, and 24 x 24 x 12 inches (nominal dimensions).

## Factory Recovered Sewn End Elements

### Save up to 65% off the cost of a new element!

Remember, don't throw that used sewn end element away. Consler can recover any manufacturers sewn end element and save you money. Just send the element to our recovery center and we'll return it to you freight prepaid and in new condition. Contact the factory for information on how you can benefit from our recovery service.

### New York Recovery Center

Graver Technologies  
Recovery Dept.  
300 West Main Street  
Honeoye Falls, NY 14472  
800-321-4789 or  
Fax 585-624-1205

## Specialty Products

- Custom designed to meet your needs
- Top quality
- Fast Service

Graver has gained the reputation as a responsive source for unique filter and element designs. Our staff routinely works with clients to provide service, technology and top quality filter elements which are custom designed to meet individual needs. Our products provide precision filtration in a broad array of applications from hydraulics, refrigeration and industrial gas production to chemical processing, electrical/gas utilities and specialty equipment and machinery.

### Graver Technologies also makes:

- Air Intake Filters
- Air Intake Filter/Silencers
- Air/Gas Pressure Filters
- Vacuum Filters
- Liquid Filters/Strainers
- Smoke/Oil Mist Eliminators
- Filter Separators
- Special and Custom-Designed Filters and Filter Elements
- Lube Oil Filters and Filter Elements

Graver Technologies has representatives in major cities of the United States, Mexico and Canada. Representatives are also located in many other countries around the world.

Consler brand filters are manufactured in Honeoye Falls, NY. For more details about Consler brand filters contact your representative or Graver Technologies. Graver has a policy of continued product improvement and reserves the right to change specifications without notice.

Visit our web site at [www.gravertech.com](http://www.gravertech.com).

