

Simplex Filter Housings



**Hil-flo™ Oil Filters for up to
150 PSI and 25 GPM Service**

Hilco's Hil-flo™ 01HMF-0150 Series filter vessels permit full-flow or off-line filtration of fluids at working pressures to 150 PSI and flow rates to 25 GPM. Inexpensive and compact, the versatile 01HMF-0150 filters utilize Hilco o-ring sealed cartridges which feature large dirt-holding capacities for efficient, cost-effective filtration of hydrocarbon oils, synthetic lubricants, and solvents used as fuel, lube, seal, hydraulic, heat transfer, and insulating oils. Hil-flo filters feature a newly designed cover and an "O" ring which enhance the filter's sealing capabilities. The Hil-flo 01HMF-150 Series filters are available in two models, featuring one or two cartridges.

Typical Applications:

- Hydraulic Systems
- Diesel and Gas Engines
- Turbines
- Machine Tools
- Compressors and Vacuum Pumps

Features:

- All-steel welded construction
- Newly designed cover and Buna-N "O" ring gasket for better sealing
- Swing bolt cover; no loose hardware
- Accept Hilco's o-ring sealed pleated paper, PH, stacked-disc and fuller's earth or activated alumina-filled cartridges for various filtration applications, dirt-holding capacities and filtration efficiencies
- Filtration efficiencies from $\text{Beta}_{0.5} = 75$ to $\text{Beta}_{10} = 75$ (nominal 0.5 to 10 microns)
- Holds one or two cartridges
- 1" FPT accessory connections
- Positive hold down cap

Ancillary Options:

- Pressure & DP Gauge(s)
- Auto Vent Valve
- Pressure Relief Valve
- Drain Valve
- Viton "O" Ring Seals
- Coreless Cartridge Design
- Gasket Sealed Cartridge Design

Other..Designs..Available:

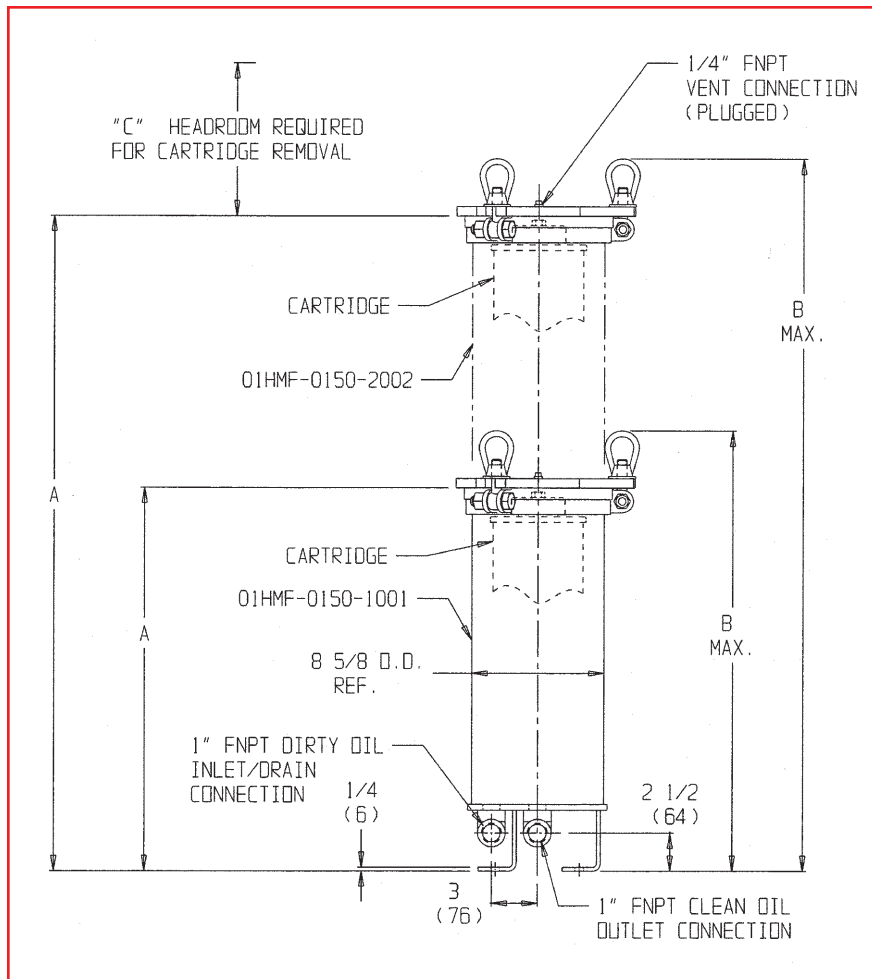
- ASME Code, CRN & API-614 Compliance and more
- Large Multi-Cartridge Vessels
- Larger & Flanged Connections
- Hydraulic Cover Lifters
- Horizontal Orientation



How to Read Filter Model Numbers

Indicates:	Example: 01HMF-0150-1001
Standard construction	01
Series	HMF
Maximum design pressure (psi)	0150
Number of cartridges per centerpost	1
Design revision designation	10
Total number of cartridges	01

Specifications



Filter Models	Max. Flow Rate-GPM (LPM)* 3 PSID @ 200 SUS	Pleated Paper Dirt-Holding Capacity (Grams)*	Fluid Capacity Gal. (l)	A In. (mm)	B In. (mm)	C Headroom Required For Cartridge Removal In. (mm)	Approx. Net Weight Lbs. (Kg)
01HMF-0150-1001	25 (95)	350	5 (19)	25 1/8 (638)	29 1/2 (749)	18 5/8 (473)	55 (25)
01HMF-0150-2002	25 (95)	700	9 (34)	43 (1092)	47 1/4 (1200)	18 5/8** (473)	70 (31.8)

* Dependent upon cartridge model used.

** 36" (914mm) for single elements.

NOTE: Maximum Temperature 250° F (121° C)

The Hilliard Corporation reserves the right to change dimensions and specifications at any time. Please contact the factory for the most current information.

The Hilliard Corporation
 100 West Fourth Street
 Elmira, New York 14902-1504
 Phone: 607-733-7121
 Fax: 607-733-0928
<http://www.hilliardcorp.com>

Your Local Representative:

