

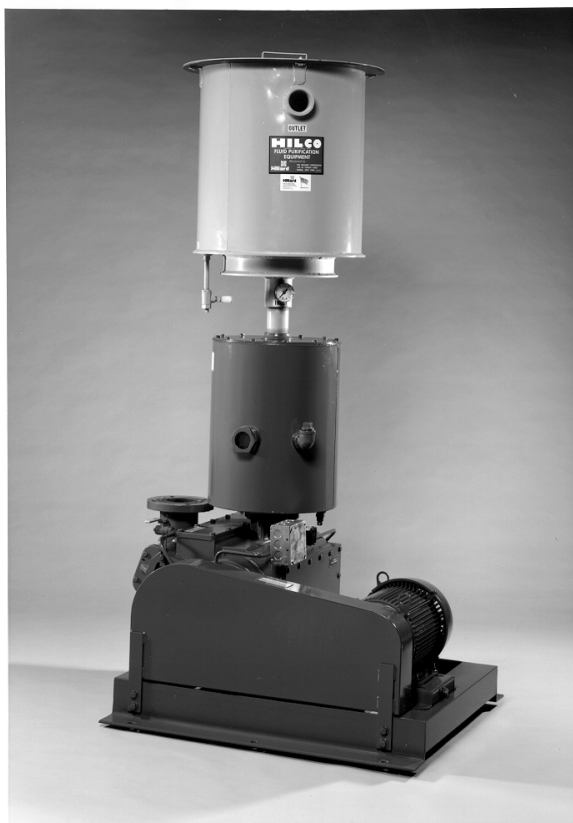


Hilliard
Hilco Division

Vacuum Pump Exhaust Mist Eliminator

Hilco Vacuum Pump Exhaust Mist Eliminator

- Removes all visible oil mist from the vacuum pump exhaust
- Expensive lubricating fluids can be collected for reuse
- Keeps work areas clean and free of oily, unsafe surfaces
- Helps ensure environmental compliance
- Highly efficient with minimal flow resistance



Features

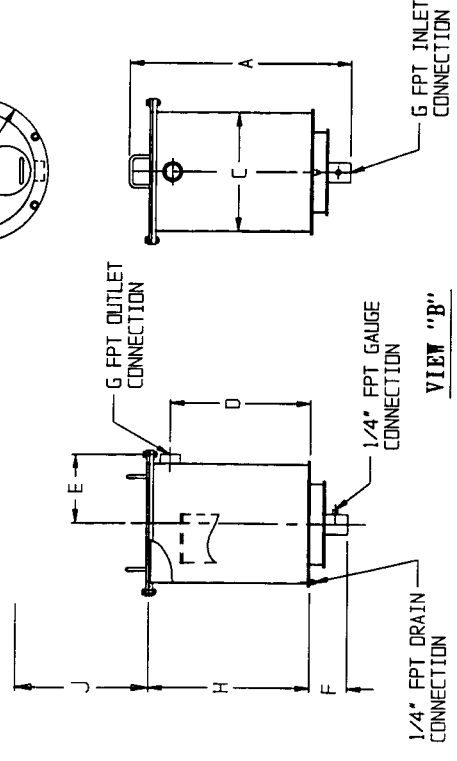
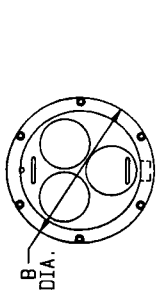
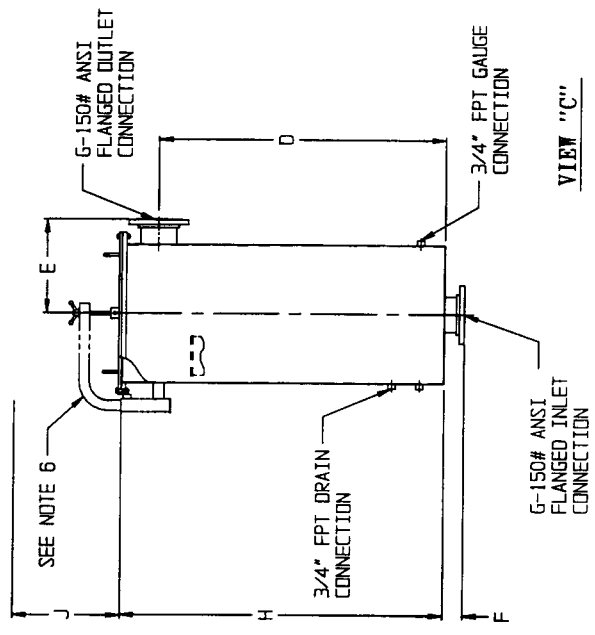
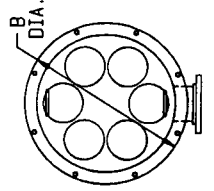
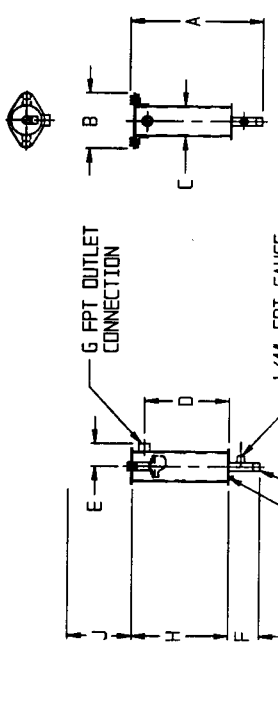
- Rugged construction
- Fits in compact area
- Virtually maintenance free
- Replacement elements

Options

- Pressure gauge
- Flange connections
- Sight glass
- Relief

FILTER MODEL	FLOW RATE (CFM)	DIMENSIONS IN INCHES						WEIGHT IN LBS (APPROX)					
		A (MAX.)	B	C (DIA.)	D	E	F	G	H	J	DRY	COVER ONLY	SHIP
VIEW "A" 01ME01-0010-001	10	17	7	3-1/2	10-11/16	2-3/4	3-5/8	3/4	11-7/8	10	9	19	1
SEE	35	23	12	8-5/8	14-1/8	5-1/2	3-3/8	2	16-5/8	12	32	132	8
VIEW "B" 01ME01-0050-001	50	30	12	8-5/8	21	5-1/2	3-3/8	2	23-1/2	20	37	137	8
01ME03-0150-001	150	34	22	18	21	10-3/8	5-5/8	2	24-1/8	20	154	254	41
01ME03-0300-001	300	57	22	18	41	10-3/4	7-1/2	3	44-3/4	39	198	298	41
VIEW "C" 01ME06-0600-001	600	70	30-1/2	26	53-5/8	17-3/4	4-3/4	6	60-3/8	39	593	693	105
01ME09-0900-001	900	71	37-3/4	34	53-5/8	21-3/4	4-3/4	6	60-5/8	39	1081	1181	234

- NOTES:
1. MAXIMUM DESIGN PRESSURE.....15 PSI
 2. MAXIMUM TEMPERATURE.....250°F
 3. FILTER CARTRIDGE AS SPECIFIED ON ORDER.
 4. BOLT HOLES TO STRADDLE CENTERLINES ON ALL FLANGES.
 5. MATERIAL SPECIFICATIONS: STEEL CONSTRUCTION.
 6. OPTIONAL COVER LIFTER IS AVAILABLE ON LARGER MODELS. CONSULT FACTORY FOR DETAILS.



The Hilliard Corporation 100 West Fourth Street, Elmira, NY 14902 U.S.A.
 Phone: 607/733-7121, Fax: 607/737-1108
<http://www.hilliardcorp.com>