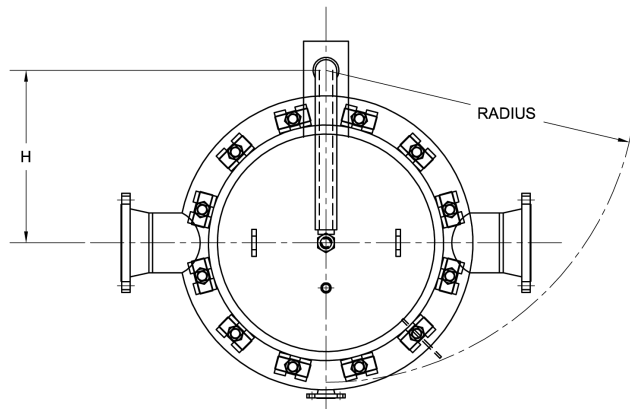
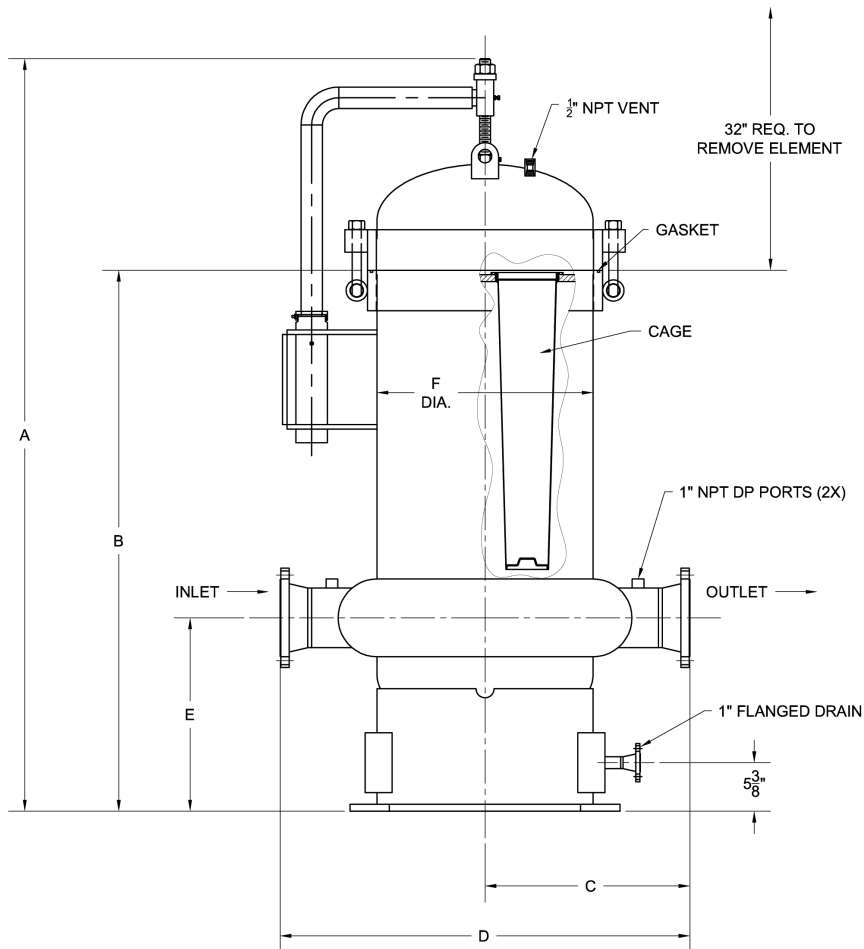




MAXIMIZE FILTER CAPACITY, MINIMIZE VESSEL SIZE



TORUS®

The use of a toroidal inlet manifold allows uniform distribution of the inlet fluid in the vessel, maximizing even distribution of entrained contaminant across the filter elements for optimal filter element use and minimizing inhomogeneous flow distribution, turbulence or high local flow velocities. When coupled with the V-MAX element technology, the TORUS vessel provides significantly greater filtration capacity than a conventional bag filter device in a smaller vessel design.

Table with 11 columns: MODEL, A, B, C, D, E, F, H, RADIUS, IN/OUT, NO. OF ELEMENTS. Rows include models FT2004F04 through FT4826F08 with their respective dimensions and specifications.

ORDER INFORMATION table with checkboxes for Design Pressure (100 PSIG, 150 PSIG, Other), Design Temperature (Max, Min), Construction Material (Carbon Steel, 304/316 Stainless Steel, Other), Cage Material (304/316 Stainless Steel, Other), and Gasket Material (BUNA N, Viton, Neoprene, EPR, Teflon Encapsulated, Other).



LONG LIFE. HALF THE DIAMETER. BETTER FLUID QUALITY.

V-MAX® is a coreless filter that flows from the inside-to-outside like a bag filter but V-MAX® technology can offer the same online life as a bag filter in a vessel that is roughly half the diameter. This is possible since the V-MAX® design offers up to ten times the available filtration media in the same element envelope.

V-MAX® Technology is a novel, and new category of solid-liquid separation, called Coreless Filtration, that was pioneered by Pentair Separation Systems. It enables purification of solid-contaminated streams, offering high-purity, rapid, single-pass processing, while simultaneously reducing overall operating expense and improving operator ergonomics. In many cases conventional bag filters, stacked disks, and leaf filters can be upgraded to coreless technology.

**A brief summary of V-MAX®:**

- **Effective Contaminant Removal**  
The V-MAX® coreless elements utilize high-performance media technology to allow very high efficiency removal of contaminants. It is constructed to allow effective use to high differential pressure.
- **Increased Online Life**  
Compared to conventional bag filters V-MAX® can offer 3 – 5 times longer online life at similar effluent fluid quality.
- **Faster Processing**  
Due to the improved media technology and the opportunity of effective single-pass purification, V-MAX® purification time can be reduced by up to 90% when performing batch filtration or drumming operations.
- **Improved Operating Ergonomics**  
The design of the system enables rapid and easy element installation and replacement.



(936) 788-1000

energy.inquiry@pentair.com | www.pentairseparations.com

4301 West Davis Conroe, TX 77304